

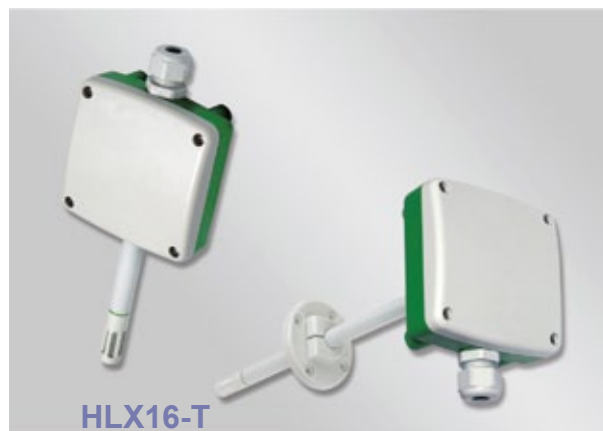
Digitron

HLX16-T Series

Temperature Transmitters for HVAC Applications

HLX16 temperature transmitters are the ideal solution for accurate measurement of temperature in the range 0...50°C (32...122°F) in HVAC applications.

HLX16 temperature transmitters are available as wall or duct mounted with current or voltage output signals.



Typical Applications

building-automation
storage rooms
climate and ventilation control

Features

excellent price/performance ratio

Technical Data

Measuring values

Temperature (active output)

| | | |
|------------------------------------------|--------------------------------|-------------------------------|
| Sensor | Pt1000 (class A, DIN EN 60751) | |
| Output appropriate 0...50°C (32...122°F) | 0-10 V | -1 mA < I _L < 1 mA |
| | 4-20 mA (two wire) | R _L < 500 Ohm |
| Accuracy at 20°C (68°F) ¹⁾ | ±0.3°C (±0.5°F) | |

Temperature (passive output)

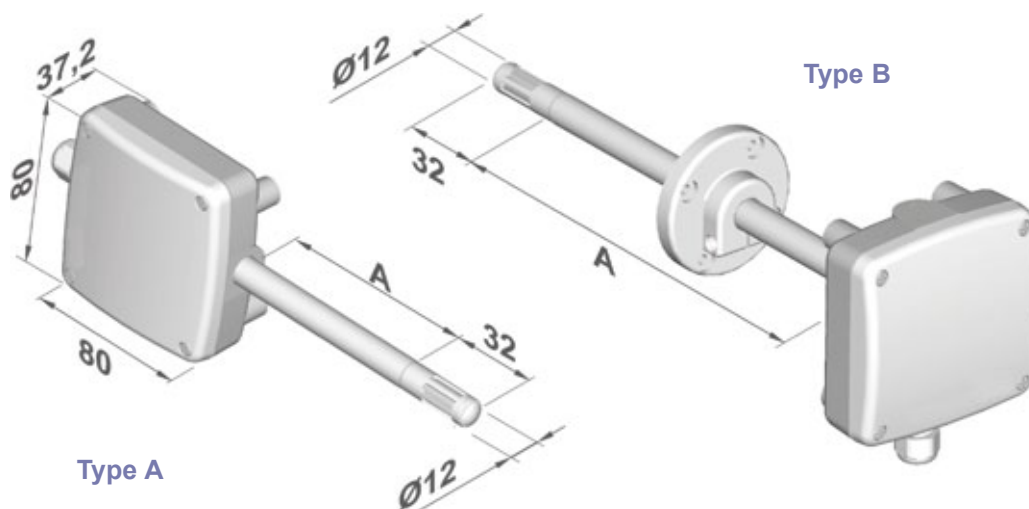
Type of T-Sensor please see ordering guide

General

| | | | |
|-------------------------------|--------------------------------------------------------|------------------------------------|-------------|
| Supply voltage | 15 - 35V DC | or | 24V AC ±20% |
| for 0 - 10 V | 10V + R _L x 20 mA < U _v < 35V DC | | |
| for 4 - 20 mA | | | |
| Current consumption | for DC supply | typ. 8 mA | |
| | for AC supply | typ. 20 mA _{eff} | |
| Electrical connection | screw terminals max. 1.5 mm ² (AWG 16) | | |
| Housing / protection class | Polycarbonate / IP65, Nema 4 | | |
| Cable gland | M16x1.5 | cable Ø 4.5 - 10 mm (0.18 - 0.39") | |
| Sensor protection | membrane filter or plastic grid | | |
| Electromagnetic compatibility | EN61326-1 EN61326-2-3 | | |
| Temperature range | working temperature: | -5...50°C (23...122°F) | |
| | storage temperature: | -25...60°C (-13...140°F) | |

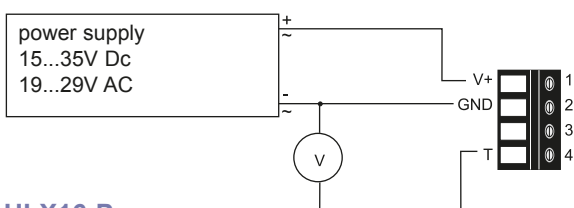
1) Please note: temperature accuracy HLX16-T6x2x: ±0.5°C (±0.9°F)



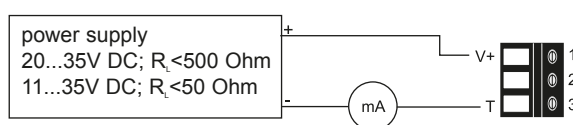


Connection Diagram

HLX16-T3xxx



HLX16-T6xxx



HLX16-P



Ordering Guide

| MODEL | OUTPUT | HOUSING | PROBE LENGTH (according to "A") | FILTER |
|------------------------|---------|----------------------------------------|------------------------------------|---------------------|
| temperature active (T) | 0-10 V | wall mounting (A) duct mounting (B) | 50mm (1.9") | membrane filter (1) |
| | 4-20 mA | | 200mm (7.9") | plastic grid (4) |
| HLX16- | | | | |

| MODEL | T-SENSOR | HOUSING | PROBE LENGTH (according to "A") | FILTER |
|-------------------------|-------------------|----------------------------------------|------------------------------------|---------------------|
| temperature passive (P) | Pt 100 DIN A (A) | wall mounting (A) duct mounting (B) | 50mm (1.9") | membrane filter (1) |
| | Pt 100 DIN B (B) | | 200mm (7.9") | plastic grid (4) |
| | Pt 1000 DIN A (C) | | | |
| | Pt 1000 DIN B (D) | | | |
| | others on request | | | |
| HLX16- | | | | |

Ordering Example

HLX16-T3A21

model: temperature transmitter
 output: 0-10 V
 housing: wall mounting
 probe length: 50mm (1.9")
 filter: membrane filter